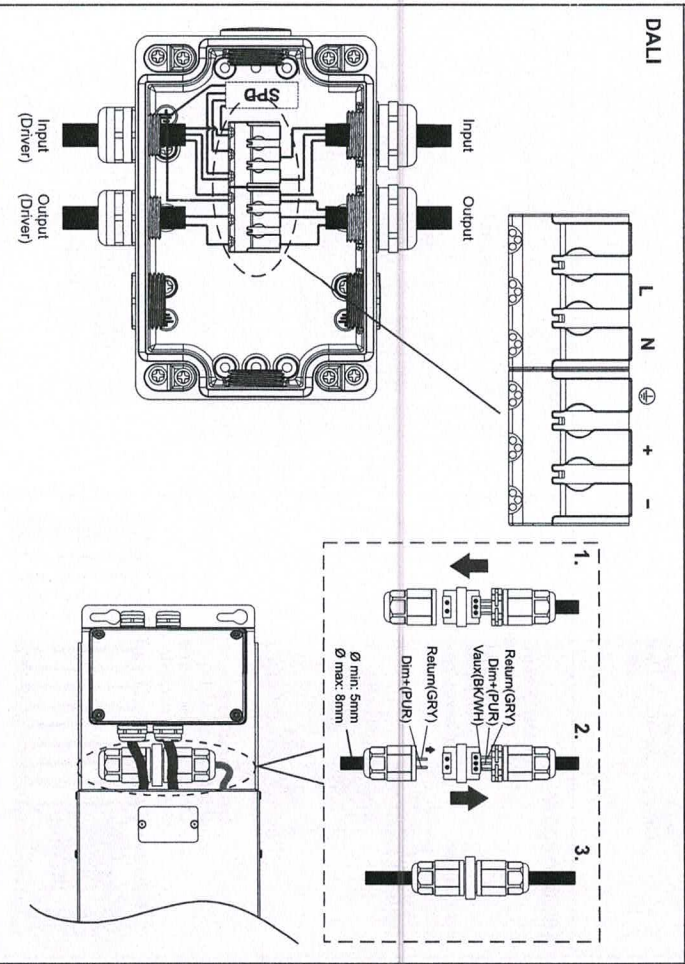
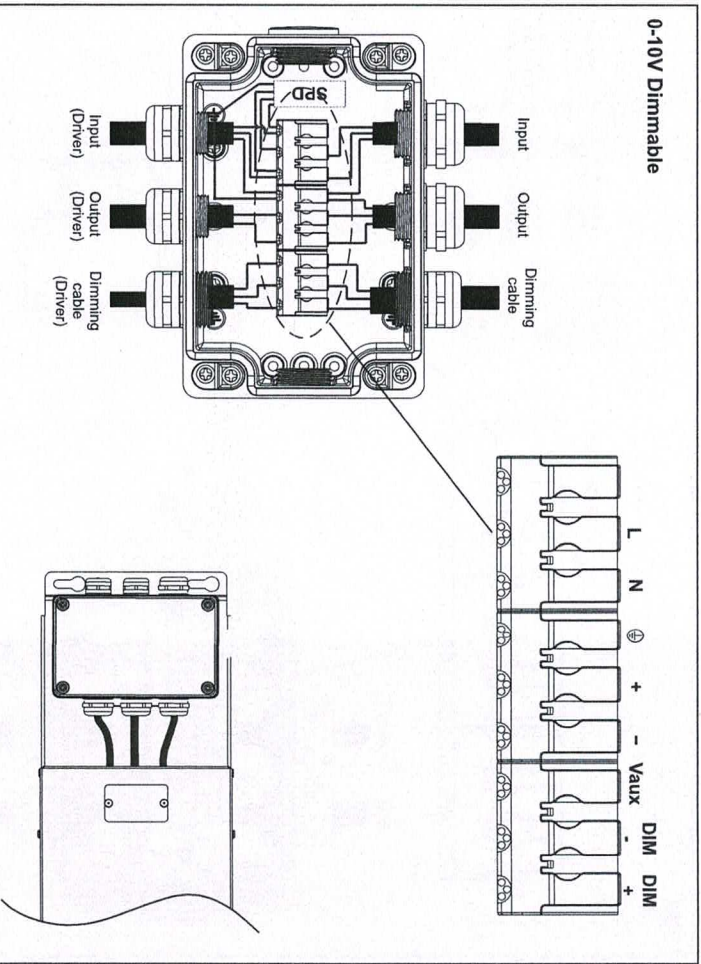


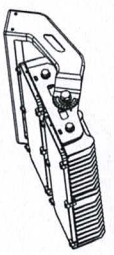


Lens Type	F04003X	F04003Z	F04004
Mounting Angle (Aliming Devise Bracket)	0°	0°	0°
Photometric Data (For Lens)			
Photometric Data (For Lens)			
Photometric Data (For Lens)			
Luminaire mounting type			

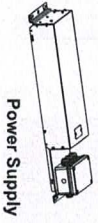
Lens Type	F04006	F04013	F04014
Mounting Angle (Aliming Devise Bracket)	0°	53.5°	54.5°
Photometric Data (For Lens)			
Photometric Data (For Lens)			
Photometric Data (For Lens)			
Luminaire mounting type			



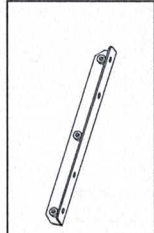
**Driver Box Mount**



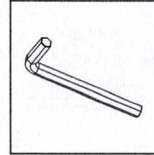
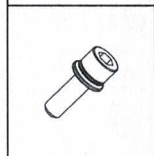
Lamp Body



Power Supply



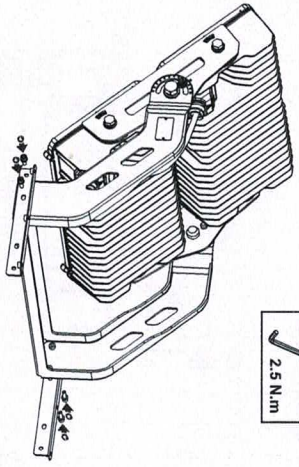
Accessories



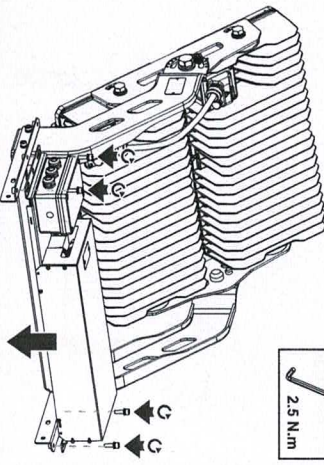
2. ✕

M6  
4PCS  
2.5 N.m

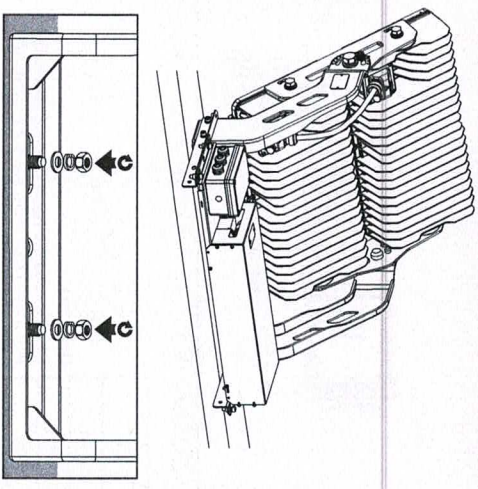
M6  
4PCS  
2.5 N.m



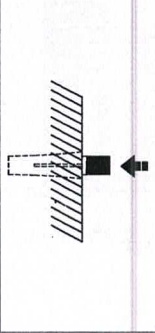
1. ✕



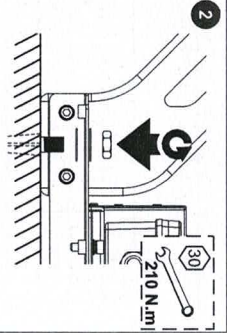
**Installation**



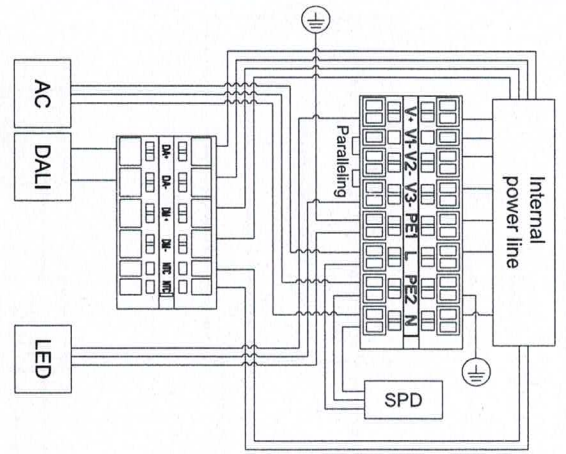
1. Recommended screw size: M20



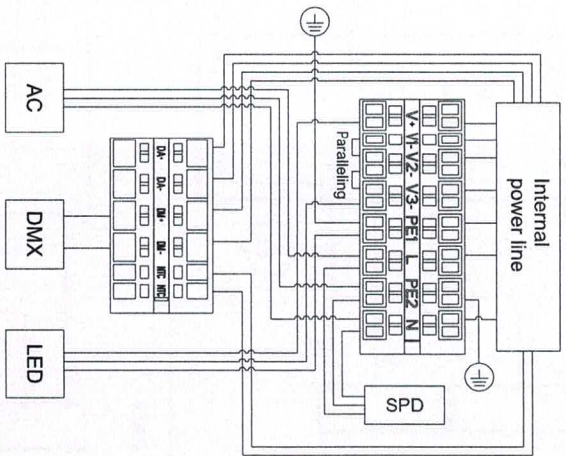
2



**DALI & 0-10V Dimmable**

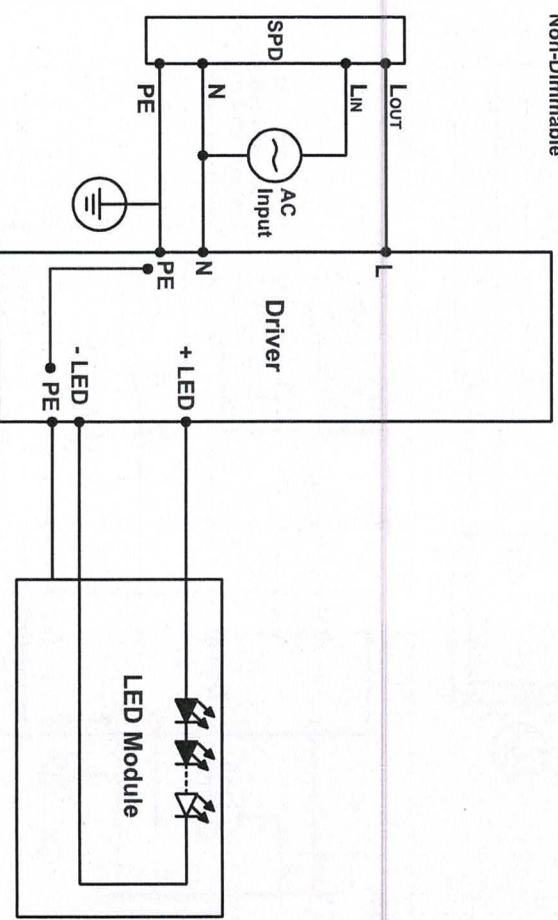


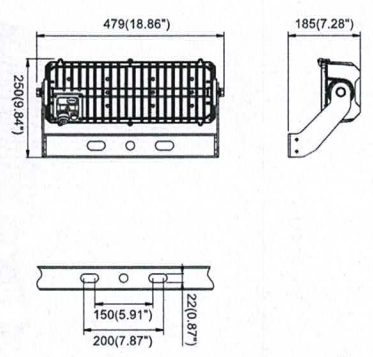
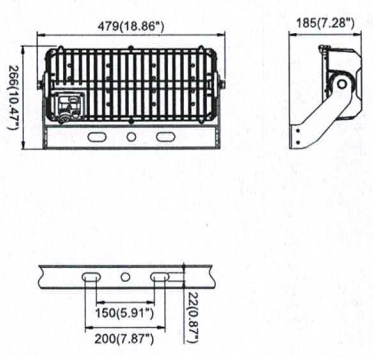
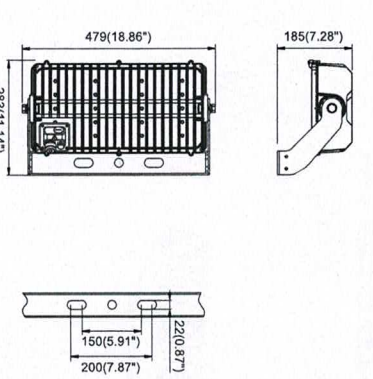
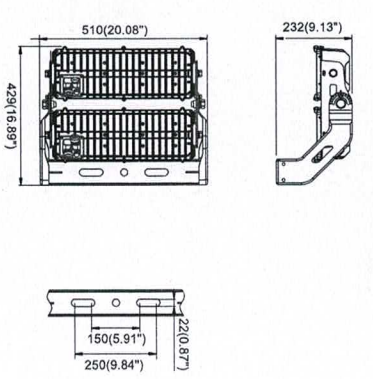
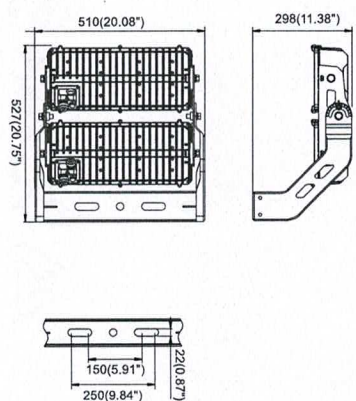
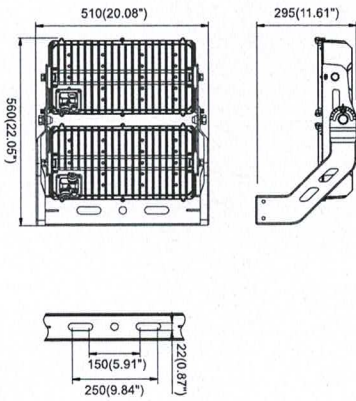
**DMX**



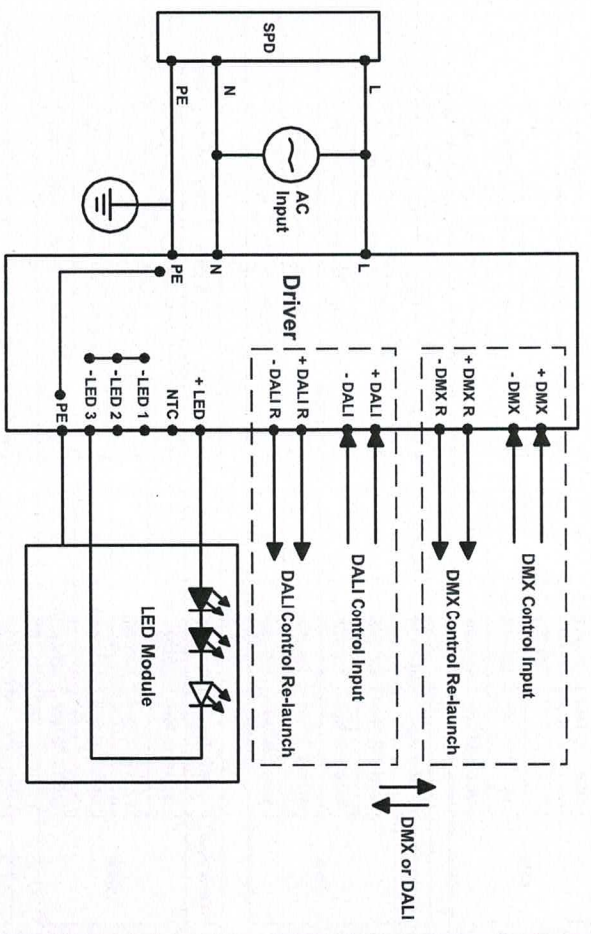
**Circuit Schematic Diagram**

400W-1200W  
Non-Dimmable



<p><b>400W</b></p> 	<p><b>480W</b></p> 
<p><b>600W</b></p> 	<p><b>800W</b></p> 
<p><b>960W</b></p> 	<p><b>1200W</b></p> 

**1500W-1800W**



**Clearance Distance**

When the driver boxes are installed in a confined space, the minimum installation clearance must be ensured. Make sure that the measured temperature (at 5 cm far away from the driver box) is not higher than the Ta max temperature of the lamp. Please refer to the mounting distance instruction on the right.

